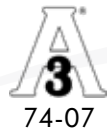
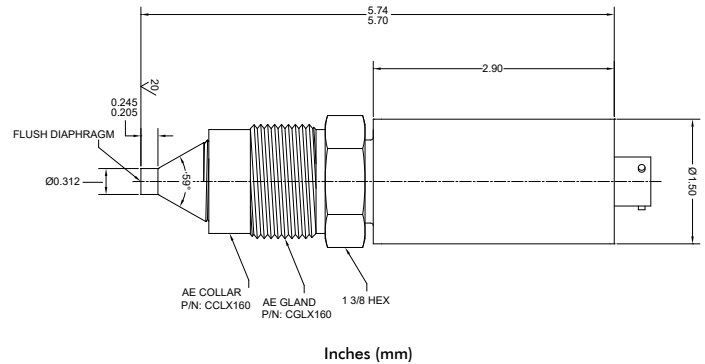


MODEL 251/351 FLUSH HIGH-PRESSURE TRANSMITTER



STANDARD WIRING

PIN OR WIRE COLOR	MODEL 251	MODEL 351
1/A/RED	+EXC	+EXC/SIG
2/B/GRN	+SIG	N/C
3/C/WHT	N/C	N/C
4/D/BLK	-EXC/SIG	-EXC/SIG
5/E/BLU	N/C	N/C
6/F/BRN	N/C	N/C



**REF DIMENSIONS ONLY.
CONSULT FACTORY FOR ACTUAL DIMENSIONS.**

PRODUCT OVERVIEW:

The Model 251/351 from GP:50 is a sanitary flush pressure transmitter with a unique one-piece design. This flush design provides a zero dead volume eliminating the need for recessed tee's or dead ended process connections. This design removes the possibility of trapped media or contamination and allows for a clean out-of-place (COP) device, providing for a sanitary, in-line solution.

FEATURES:

- Flush sanitary pressure port mountable to Autoclave F1000C43
- Provides Zero Dead Volume design
- Pressure Ranges: 0-1000 thru 0-43K PSI
- 0-5 VDC, 4-20mA, HART, Modbus, CANbus
- Rated for Autoclave
- Field adjustable Zero & Span option
- Optional wetted parts: Inconel, or 17-4 PH SST

APPLICATIONS:

- Homogenizing
- HPLC - High Performance Liquid Chromatography
- Pharmaceutical
- Biotech
- Food processing
- High purity type applications

OPTIONS:

- Comprehensive selection of electrical connectors
- High-temp operation to 350 °F
- Digital Output: HART, Modbus, CANbus, USB

GP:50 MODEL 251/351

REFERENCE SPECIFICATIONS

(Standard configurations shown, consult factory for other options)

ELECTRICAL	
Output Signal:	(Model 251) 0 to 5 VDC, 0 to 10 Vdc (Model 351) 4-20 mA (Other outputs available, consult factory)
Excitation Voltage:	9.0 to 32 Vdc (Some options may affect excitation)
Circuit Protection:	RFI, EMI & Reverse Polarity Protected
Response Time:	<3 ms 10% to 90%

MATERIALS OF CONSTRUCTION	
Flush Diaphragm:	Inconel 718
Port and Housing:	316L
Gland and Collar:	316L

ACCURACY (BFSL): Hysteresis, non-Linearity & Repeatability @ +70 °F	
Standard:	±0.2% FSO
Improved:	±0.1% FSO
Zero & Span Balance:	±1% FSO @ +70 °F (+21 °C) for each (Zero and Span adjust options)

MECHANICAL	
Process Connection:	≤43K PSI (1,379 to 2,965 BAR) Autoclave type F1000C43
Electrical Connection:	Amphenol PTIH-10-6P connector or equivalent
Proof Pressure:	1.2X FSO or 60K PSI (4,137 BAR), (whichever is less)
Burst Pressure:	2X FSO or 86K PSI (5,929 BAR), (whichever is less)
Approximate Weight:	10 oz. (0.3 kg) nominal (options may increase weight)
Installation Effect:	≤±0.25% FSO (Zero Adjust can null)
3A approved for COP operation	

PRESSURE RANGES	
0 to 1000 thru 0-43K PSI (70 BAR thru 2,965 BAR)	

THERMAL SPECIFICATIONS	
Operating Range:	-40 °F to +250 °F (-40 °C to +121 °C)
Compensated Range:	0 °F to +180 °F (-17.7 °C to +82 °C)
Storage Ambient:	-65 °F to +250 °F (-53 °C to +121 °C)
Effect on Zero/Span:	±1.0% FSO/100 °F (Optional Compensation: -40 °F to +250 °F (-40 °C to 121 °C))
Improved or expanded temperature compensation available	

FLUSH DIAPHRAGM

