

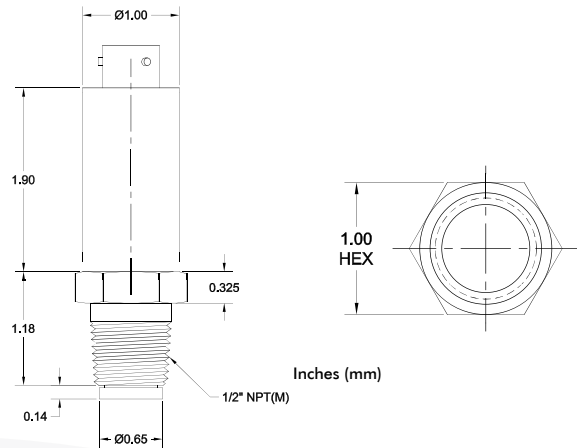
MODEL 340-IM

FLUSH MOUNT PRESSURE TRANSDUCER



WIRING CONFIGURATION

| PIN | DESCRIPTION |
|-----|-------------|
| A | +EXC/SIG |
| B | N/C |
| C | N/C |
| D | -EXC/SIG |
| E | N/C |
| F | N/C |



**REF DIMENSIONS ONLY.
CONSULT FACTORY FOR ACTUAL DIMENSIONS.**

PRODUCT OVERVIEW:

The Model 40-IM series from GP:50 is a flush face mounted industrial pressure transmitter. It is expressly designed for higher viscosity media, particularly where such media can otherwise clog or damage traditional non-flush port sensor designs. The rugged, all-welded, Inconel design of the 40-IM series allows for greater compatibility with corrosive media. No zero offset is caused during sensor installation.

FEATURES:

- Flush faced sensor minimizes media plugging and damage
- Compact 1" diameter
- Rugged, all-welded stainless steel design
- No zero offset from installation
- 5X proof pressure

APPLICATIONS:

- Rig safety systems
- Well head control
- Gas pipeline
- Control panels
- On-board transmission & engine monitoring

OPTIONS:

- ATEX & IEC Hazardous Approvals* (FM & CSA Pending)
- Direct NPT or flanged process mounting
- Select electrical connectors
- 0-5Vdc output

*For details of available approvals go to:
<https://www.gp50.com/certifications>

GP:50 MODEL 340-IM

REFERENCE SPECIFICATIONS

(Standard configurations shown, consult factory for other options)

| ELECTRICAL | |
|------------------------|---|
| Output Signal: | 4-20 mA |
| Excitation Voltage: | 9.0 to 40 Vdc |
| Load Impedance: | 1,350 Ω max. at 36 Vdc and 750 Ω max. Vdc |
| Insulation Resistance: | > 10 M Ω @ 50 Vdc and +70 °F |
| Circuit Protection: | RFI, EMI and reverse polarity |
| Response Time: | <5 ms 10% to 90% |

| MATERIALS OF CONSTRUCTION | |
|---------------------------|---------------------|
| Wetted Parts: | Inconel 718 |
| Housing: | 316 Stainless Steel |

| ACCURACY (BFSL): Non-Linearity @ +70 °F | |
|---|---------------------------|
| Standard: | $\pm 0.5\%$ |
| Improved: | $\pm 0.2\%$ |
| Zero & Span Balance: | $\pm 2.0\%$ FSO at +70 °F |

| MECHANICAL | |
|------------------------|--|
| Process Connection: | 1/2" NPT (M) |
| Electrical Connection: | 1/2" NPT (M) conduit with 36" cable leads or 6-pin connector (PTIH-10-6P) |
| Proof Pressure: | 2X FSO or 2K PSI (138 BAR), whichever is less (Optional 5X) |
| Burst Pressure: | 5X FSO 3.5K PSI (242 BAR), whichever is less |
| Environmental: | Designed to meet IP67 (Some options may affect this. Consult factory if critical.) |
| Approximate Weight: | <0.5lb (225g) |

| PRESSURE RANGES | |
|--|--|
| 0 to 75 thru 0 to 750 PSI (5 thru 52 BAR) Gauge, Sealed Gauge, Absolute | |

| THERMAL SPECIFICATIONS | |
|------------------------|---------------------------------------|
| Operating Range: | -50 °F to +250 °F (-46 °C to +121 °C) |
| Compensated Range: | 0 °F to +180 °F (-17.8 °C to +82 °C) |
| Storage Ambient: | -65 °F to +250 °F (-53 °C to +121 °C) |
| Effect on Zero/Span: | $\pm 2.0\%$ FSO/100 °F |

GP:50

FLUSH DIAPHRAGM

