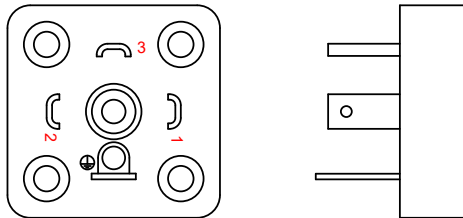


CONNECTOR OPTION CA
PT1H-10-6P, 6-PIN BENDIX OR EQUIV.

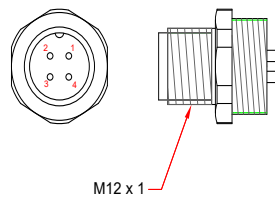
PIN	TRANSDUCER OUTPUT				
	mV/V	3-WIRE VOLTAGE	4-WIRE VOLTAGE	4-20mA	MDL 370
A	+EXC	+EXC	+EXC	+EXC/SIG	+EXC/SIG
B	+SIG	+SIG	+SIG	N/C	-EXC/SIG
C	-SIG	N/C	-EXC/SIG **	N/C	N/C
D	-EXC	-EXC/SIG	-EXC/SIG	-EXC/SIG	N/C
E	N/C *	N/C *	N/C *	N/C *	+SHUNT
F	N/C *	N/C *	N/C *	N/C *	-SHUNT

N/C * = ALSO USED FOR OPTIONAL SHUNT CALIBRATION OR RTD OHM OUTPUT
** = JUMPERED TO PIN D



CONNECTOR OPTION CJ
GSA 3000 N, 4-PIN, HIRSCHMANN OR EQUIV.
DIN 43650 FORM A

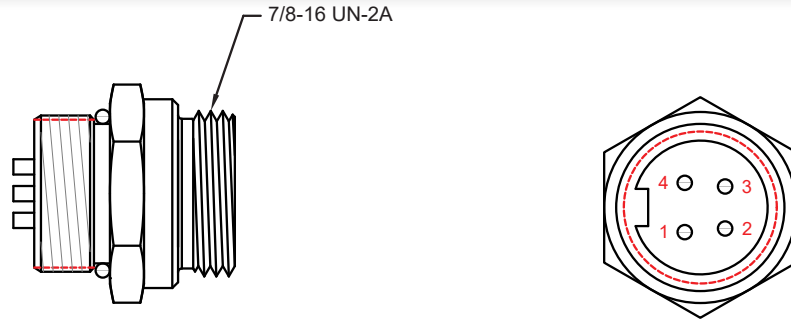
PIN	TRANSDUCER OUTPUT			
	mV/V	3-WIRE VOLTAGE	4-WIRE VOLTAGE	4-20mA
1	N/A	+EXC	N/A	+EXC/SIG
2		+SIG		-EXC/SIG
3		-EXC/SIG		N/C
GND		CASE GROUND		CASE GROUND



CONNECTOR OPTION DC4
IP-67, 4-PIN, TURCK FS 4.4 OR EQUIV.

WIRE COLOR	PIN	TRANSDUCER OUTPUT			
		mV/V	3-WIRE VOLTAGE	4-WIRE VOLTAGE	4-20mA
BROWN	1	+EXC	+EXC	+EXC	+EXC/SIG
DRAIN/WHITE	2	+SIG	+SIG	+SIG	CASE GND
BLUE	3	-SIG	N/C	-EXC/SIG **	N/C
BLACK	4	-EXC	-EXC/SIG	-EXC/SIG	-EXC/SIG

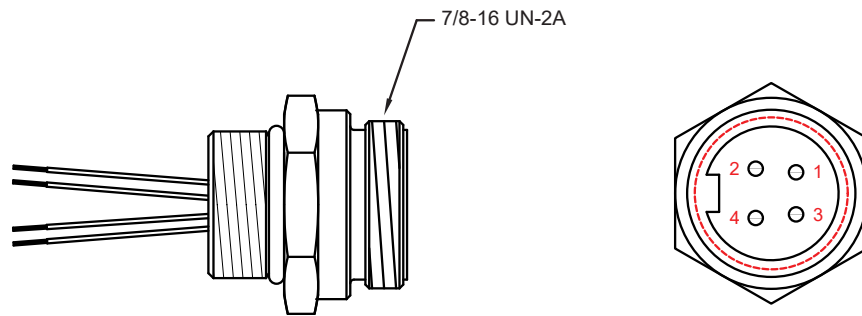
** = JUMPERED TO PIN 4



CONNECTOR OPTION DR4
RSFL 46, 4-PIN, TURCK OR EQUIV.

PIN	TRANSDUCER OUTPUT			
	mV/V	3-WIRE VOLTAGE	4-WIRE VOLTAGE	4-20mA
1/BLACK	-EXC	-EXC/SIG	-EXC/SIG*	-EXC/SIG
2/WHITE	+SIG	+SIG	+SIG	+EXC/SIG
3/RED	+EXC	+EXC	+EXC	-SHUNT/ NC**
4/GREEN	-SIG	CASE GND	-SIG/EXC*	+SHUNT/CASE GND*

* JUMPED TOGETHER
** SHOWN WITH OPTIONAL SHUNT CAL



CONNECTOR OPTION DT4
P-RSF 40D-.03, 4-PIN, TURCK OR EQUIV.

PIN	TRANSDUCER OUTPUT			
	mV/V	3-WIRE VOLTAGE	4-WIRE VOLTAGE	4-20mA
1/BLUE	-EXC	-EXC/SIG	-EXC/SIG*	-EXC/SIG
2/BROWN	+EXC	+EXC	+EXC	+EXC/SIG
3/GRAY	+SIG	+SIG	+SIG	-SHUNT/ NC**
4/GRN/YEL	-SIG	CASE GND	-SIG/EXC*	+SHUNT/CASE GND**

* JUMPED TOGETHER
** SHOWN WITH OPTIONAL SHUNT CAL

All specifications are for reference purposes only. In the interests of continuous product improvement, all specifications are subject to change without notice. Please contact GP:50 for assistance with your application.