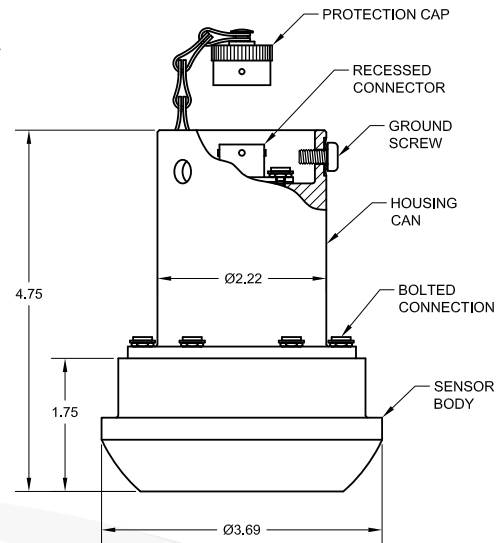


## MODEL 470 FIELD ADJUSTABLE WECO® "HAMMER" UNION PRESSURE TRANSMITTER



### STANDARD WIRING

PIN OR WIRE COLOR	MODEL 470
A/1	+EXC/SIG
B/2	-EXC/SIG
C/3	N/C
D/4	CASE GND



Standard configurations shown.  
Please consult factory for other options.

### PRODUCT OVERVIEW:

The field adjustable Model 470 WECO® Hammer Union Pressure Transmitter from GP:50 is ruggedly designed and engineered to effectively address demanding shock and vibration and installation challenges within the oilfield environment. Units are directly compatible with WECO® 2"-1502, 2202, 2002 or 602 wing union fittings. The field adjustment option provides for zero and span adjustments as well as rangeability. This field adjustable option eliminates the need to rescale your panel meter when replacing transmitters and allows for fewer pressure ranges to stock.

### FEATURES:

- Reduced zero offset due to installation
- High-accuracy option of  $\pm 0.10\%$  FSO
- Corrosion resistant, high strength fasteners eliminate housing breakage
- Field rangeable electronics via HART communicator or HART USB Dongle and GP:50 software
- 0 to 1000 thru 0 to 20K PSI (69 thru 1,379 BAR)
- Compatible with 2" 1502, 2002, 2202, and 602 wing union fittings

### APPLICATIONS:

- Fracking, cementing, coil tubing and acidizing
- Mud pumps / Measure While Drilling
- Choke and kill manifolds
- Standpipe pressure
- Wellhead measurement

### OPTIONS:

- Internal, isolated shunt calibration
- Temperature output options
- 'Connector Guard' eliminates connector breakage
- Comprehensive list of electrical connections

# GP:50 MODEL 470

## REFERENCE SPECIFICATIONS

(Standard configurations shown, consult factory for other options)

ELECTRICAL	
Output Signal:	Two-wire 4-20 mA with digital HART protocol (optional 4-20 mA temperature output)
Excitation Voltage:	12 to 36 Vdc
Input Impedance:	250 $\Omega$ at 17 Vdc
Insulation Resistance:	Better than 10 M $\Omega$ at 50 Vdc
Circuit Protection:	RFI/EMI Reverse polarity
Resolution:	12-bit
Frequency Response:	0.07 to 40 sec (software adjustable)

MATERIALS OF CONSTRUCTION	
Sensor: Wetted Material Selectable	Standard Operation: 17-4 PH (H1025) SST for $\leq$ 10K PSI and Inconel 718 NACE for $\geq$ 15K PSI Optional Inconel X750 or 718
Housing:	300 Series Stainless Steel

ACCURACY (Hysteresis, Non-Linearity & Repeatability @ +70 °F)	
Standard:	$\leq \pm 0.25\%$ FSO (BFSL)
Improved:	$\leq \pm 0.10\%$ FSO (BFSL)
Zero & Span Balance:	$\pm 0.50\%$ FSO typ / $\pm 1.0\%$ FSO max

MECHANICAL	
Process Connection:	WECO® 2" - 1502, 2002/2202 or 602
Electrical Connection:	Bendix PTO2E-10-6P
Proof Pressure:	1.5X FSO or 22.5K PSI (1,551 BAR) (whichever is less)
Burst Pressure:	3.0X FSO
Approximate Weight:	<6 lbs. (2.7 kg) (options may affect weight)
Ingress Protection:	IP67 (some options may affect rating)

PRESSURE RANGES	
0 to 1000 thru 0 to 20K PSI (69 to 1,379 BAR)	
Range Adjustments: 2:1	

THERMAL SPECIFICATIONS	
Operating Range:	-50 °F to +190 °F (-45 °C to +88 °C)
Compensated Range:	-40 °F to +180 °F (-40 °C to +82 °C)
Effect on Zero/Span:	< 1.0% FSO/100 °F At 2:1 Ranging: $\pm 2.0\%$ FSO/100 °F

GP:50

OIL & GAS

