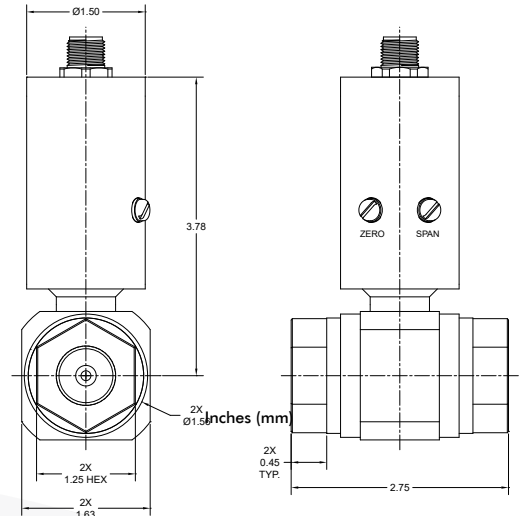


MODEL 250/350 AI/AN SANITARY FLOW-THRU PRESSURE TRANSDUCER



STANDARD WIRING

PIN OR WIRE COLOR	MODEL 250	MODEL 350
1/A/RED	+EXC	+EXC/SIG
2/B/GRN	+SIG	N/C
3/C/WHT	N/C	N/C
4/D/BLK	-EXC/SIG	-EXC/SIG
5/E/BLU	+SHUNT (OPT)	+SHUNT (OPT)
6/F/BRN	-SHUNT (OPT)	-SHUNT (OPT)



**REF DIMENSIONS ONLY.
CONSULT FACTORY FOR ACTUAL DIMENSIONS.**



PRODUCT OVERVIEW:

The Model 250/350 AI/AN from GP:50 is a flow-thru pressure transmitter with a unique one-piece design. This flow-thru design provides a zero internal dead volume eliminating the need for piping tees or dead ended process connections. This design removes the possibility of trapped media or contamination and allows for a Clean In Place (CIP) device, providing for a sanitary, in-line solution for the pharmaceutical market especially rated for high pressure homogenization systems.

FEATURES:

- Zero Internal Dead Volume
- Pressure Ranges: 0-3000 thru 0-100K PSI
- 0-5 VDC, 4-20mA, HART Modbus, CANbus
- Rated for Autoclave operation
- Field adjustable Zero & Span
- Optional wetted parts: 316 SST, Inconel, or 17-4 PH SST

APPLICATIONS:

- Chromatography
- Pharmaceutical
- Biotech
- Homogenizing
- Food processing
- High purity type applications

OPTIONS:

- Process Port: Autoclave
- Electrical Connections
- High-temp operation to 350° F
- Digital Output: HART, Modbus, CANbus, USB
- ATEX/IEC Intrinsically Safe: II 1 G Ex ia IIC T5 Ga
- ATEX Zone 2: II 3 G Ex nA/ic IIC T5 Gc cendive

Consult factory for other options (may affect 3A approval)

GP:50 MODEL 250/350 AI/AN

REFERENCE SPECIFICATIONS

(Standard configurations shown, consult factory for other options)

ELECTRICAL	
Output Signal:	(Model 250) 0 to 5 VDC, 0 to 10 Vdc (Model 350) 4-20 mA (Other outputs available, consult factory)
Excitation Voltage:	9.0 to 36 Vdc (Some options may affect excitation)
Bridge Resistance:	(Does not apply to this unit)
Circuit Protection:	RFI & EMI Reverse polarity protected
Response Time:	<3 ms 10% to 90%

MATERIALS OF CONSTRUCTION	
Wetted Parts:	Inconel 718 (Other options available, consult factory)
Housing:	300 Series SS

ACCURACY (BFSL): Hysteresis, Non-Linearity & Repeatability @ +70 °F	
Standard:	±0.5% FSO
Improved:	±0.2% FSO
Zero & Span Balance:	±1% FSO at + 70 °F (+21 °C) for each

MECHANICAL (Options may affect specs)	
Process Connection:	<ul style="list-style-type: none"> ≤ 10K PSI (≤ 689 BAR) ¼" NPT (F) 20K-60K PSI (1,379 to 4,137 BAR): Autoclave type F-250-C
Electrical Connection:	Amphenol PTIH-10-6P connector or equivalent
Probe Length:	N/A
Proof Pressure:	1.2X FSO or 120K PSI (8,274 BAR) (whichever is less)
Burst Pressure:	2X FSO or 120K PSI (8,274 BAR), whichever is less
Approximate Weight:	10 oz. (0.3 kg) nominal (options may increase weight)
Installation Effect:	± 1.0% FSO with Autoclave fittings (Zero Adjust can null)
3A approved for COP operations	

PRESSURE RANGES	
0 to 3000 thru 0-60K PSI (207 BAR thru 4,137 BAR)	

THERMAL SPECIFICATIONS	
Operating Range:	-20 °F to +190 °F (-29 °C to +88 °C)
Compensated Range:	0 °F to +180 °F (-17.7 °C to +82 °C) (Optional: -40 °F to +350 °F (-40 °C to 177 °C) Operating)
Storage Ambient:	-65 °F to +250 °F (-53 °C to +121 °C)
Effect on Zero/Span:	± 1.0% FSO/100 °F
Improved or expanded temperature compensation available	

APPROVALS	
ATEX/IEC Intrinsically Safe: II 1 G Ex ia IIC T5 Ga	
ATEX Zone 2: II 3 G Ex nA/ic IIC T5 Gc Incendive	

