



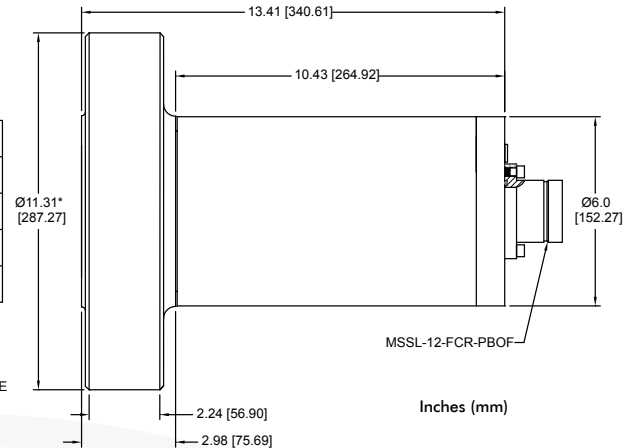
MODEL 7500-9100

API FLANGED SUBSEA PRESSURE TRANSMITTER



STANDARD WIRING

PIN	MODEL 7500-9000	DESCRIPTION
1	+EXC/SIG	PRESSURE & TEMPERATURE
2	-EXC/SIG	4-20mAdc/HART, PRESSURE LOOP
8	-EXC/SIG	4-20mAdc/HART, TEMPERATURE LOOP
3,4,5,6,7,9,10,11,12	N/C	N/A



* VARIES BY FLANGE TYPE

Inches (mm)

**REF DIMENSIONS ONLY.
CONSULT FACTORY FOR ACTUAL DIMENSIONS.**

PRODUCT OVERVIEW:

The Model 7500-9100 Series from GP:50 is an API flanged, subsea pressure transmitter with over 20 years of field heritage. This Series features pressure ranges up to 20K PSI, seawater rating to 30K ft (9,144 M) and optional HART protocol allowing for field configuration. A removable sensor assembly option allows for field repairs as well as redundant sensors that provide field backup in case of a primary sensor failure.

FEATURES:

- Ranges up to 20,000 PSI
- Rated to 30K ft (9,144 M) Seawater
- Optional HART communications protocol
- Redundant sensor and electronics options
- Dual pressure and temperature outputs
- Replaceable sensor assembly option
- API Flanges to 4-1/16"
- Inconel or Hastelloy wetted material options

APPLICATIONS:

- BOP controls
- Subsea wellhead & riser controls
- Subsea lubricator systems
- Offshore oil platforms

OPTIONS:

- Inconel or Hastelloy wetted material
- HART communications protocol
- Depth reference port
- Dual pressure and temperature sensors

GP:50 MODEL 7500-9100

REFERENCE SPECIFICATIONS

(Standard configurations shown, consult factory for other options)

ELECTRICAL	
Output Signal:	4-20 mA both pressure and temperature HART optional
Temperature Output:	4-20 mA (RTD Optional)
Excitation Voltage:	12 to 36 Vdc 18 to 36 Vdc for HART communication (250 Ω load required)

MATERIALS OF CONSTRUCTION	
Wetted Parts:	Inconel 718 Inconel & 4130 (optional Inconel or Hastelloy inlay)
Housing:	316 SST & 4130

ACCURACY (RSS): Hysteresis, Non-Linearity & Repeatability @ +70 °F	
Standard:	±0.2% FSO
Improved:	±0.1% FSO
Zero & Span Balance:	±0.5% FSO pressure and temperature

MECHANICAL	
Process Connection:	1-13/16" API Flanged (Other sizes available)
Electrical Connection:	MSSL-12-FCR-PBOF
Proof Pressure:	1.5X pressure range
Burst Pressure:	2.5X pressure range
Approximate Weight:	Varies by options ~100 lbs

PRESSURE RANGES	
0 to 5K thru 0 to 20K PSI (345 thru 1,380 BAR) (Flange type affects this)	

THERMAL SPECIFICATIONS	
Operating Range:	Electronics: +15 °F to +185 °F (-9 °C to +85 °C) HART: +15 °F to +160 °F (-9 °C to +71 °C)
Compensated Range:	+32 °F to +392 °F (0 °C to +200 °C)
Storage:	+15 °F to 392 °F (-9 °C to +200 °C)
Effect on Zero/Span:	±1.0% FSO/100 °F

GP:50

OIL & GAS

