

MODEL 7501-9000

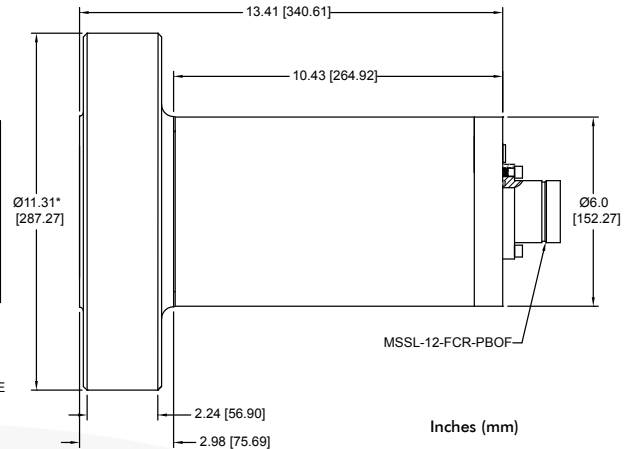
WELLHEAD SUBSEA PRESSURE TRANSMITTER



STANDARD WIRING

PIN	MODEL 7500-9000	DESCRIPTION
1	+EXC/SIG	PRESSURE & TEMPERATURE
2	-EXC/SIG	4-20mAdc/HART, PRESSURE LOOP
8	-EXC/SIG	4-20mAdc/HART, TEMPERATURE LOOP
3,4,5,6,7,9,10,11,12	N/C	N/A

* VARIES BY FLANGE TYPE



Inches (mm)

**REF DIMENSIONS ONLY.
CONSULT FACTORY FOR ACTUAL DIMENSIONS.**

PRODUCT OVERVIEW:

The 7501-9000 Series from GP:50 is a high-accuracy subsea rated pressure transmitter offering more than 15 years of field-proven pedigree. This Series features an API flanged process connection with Inconel inlay and all stainless steel housing with full seawater compatibility to 30K ft (9,144 M). Pressure ranges available from 0-500 through 0-30,000 psi with 4-20mA output or optional digital protocols.

FEATURES:

- Compact, subsea rated design
- API flanged process connections
- Seawater submersible to 30K ft (9,144 M)
- ±0.15% FSO accuracy
- Optional digital communication protocols
- Optional temperature output

APPLICATIONS:

- BOP controls
- Subsea wellhead & riser controls
- Subsea lubricator systems
- Offshore oil platforms

OPTIONS:

- Inconel or Hastelloy wetted material
- Subsea rated electrical connectors
- Various API rated flanges
- HART communication protocol
- Optional CAN Bus or RS485 output

GP:50 MODEL 7501-9000

REFERENCE SPECIFICATIONS

(Standard configurations shown, consult factory for other options)

ELECTRICAL	
Output Signal:	4-20 mA both pressure and temperature HART optional
Excitation Voltage:	12 to 36 Vdc 18 to 36 Vdc for HART communication (250 Ω load required)

MATERIALS OF CONSTRUCTION	
Wetted Parts:	718 Inconel & 4130 SS (Optional Inconel or Hastelloy inlay)
Housing:	316 Stainless steel

ACCURACY Hysteresis, Non-Linearity & Repeatability @ +70 °F)	
Standard:	$\pm 0.2\%$ FSO
Improved:	$\pm 0.1\%$ FSO
Zero & Span Balance:	$\pm 0.5\%$ FSO pressure and temperature

MECHANICAL	
API Flange:	2-1/16" thru 4-1/16" Flush or extended nose versions
Electrical Connection:	MSSL-12-FCR-PBOF
Proof Pressure:	1.5X pressure range
Burst Pressure:	2.5X pressure range
Stability:	$\pm 0.5\%$ FSO/year
Approximate Weight:	180 lbs

PRESSURE RANGES	
0 to 5K thru 0 to 25K PSI (345 thru 1,724 BAR)	

THERMAL SPECIFICATIONS	
Operating Range:	+15 °F to +185 °F (-9 °C to +85 °C) HART: +15 °F to +160 °F (-9 °C to +71 °C)
Compensated Range:	+32 °F to +392 °F (0 °C to +200 °C)
Process:	+15 °F to +392 °F (-9 °C to +200 °C)
Effect on Zero/Span:	$\pm 0.5\%$ FSO over compensated range
Optional Variations:	Consult factory

GP:50

OIL & GAS

