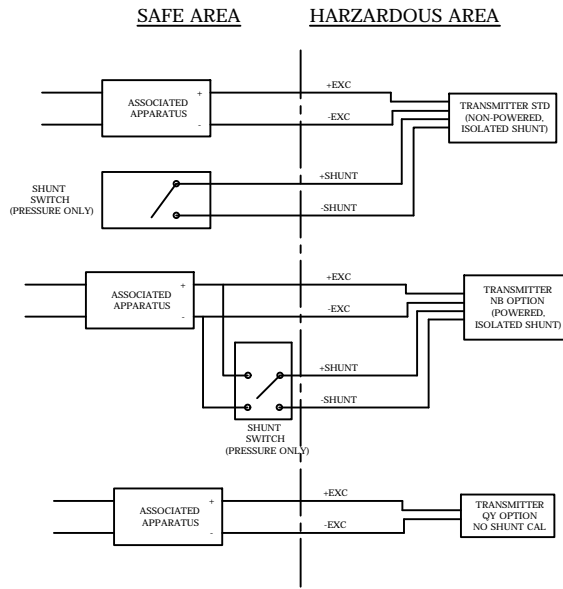
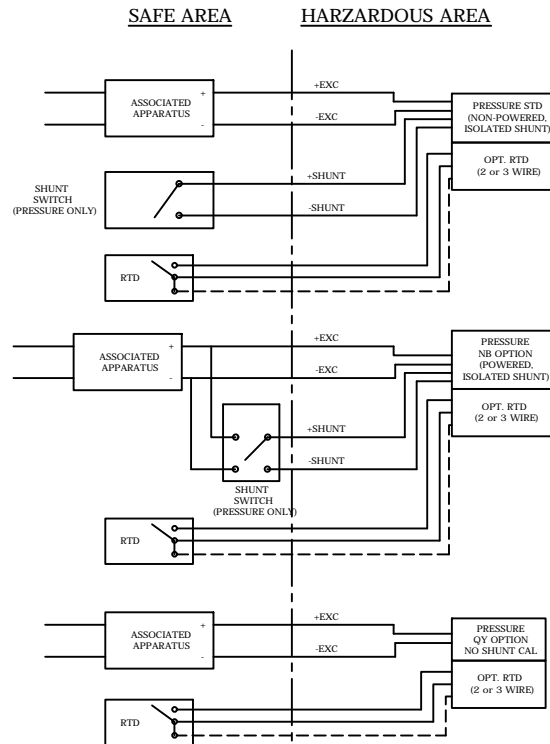


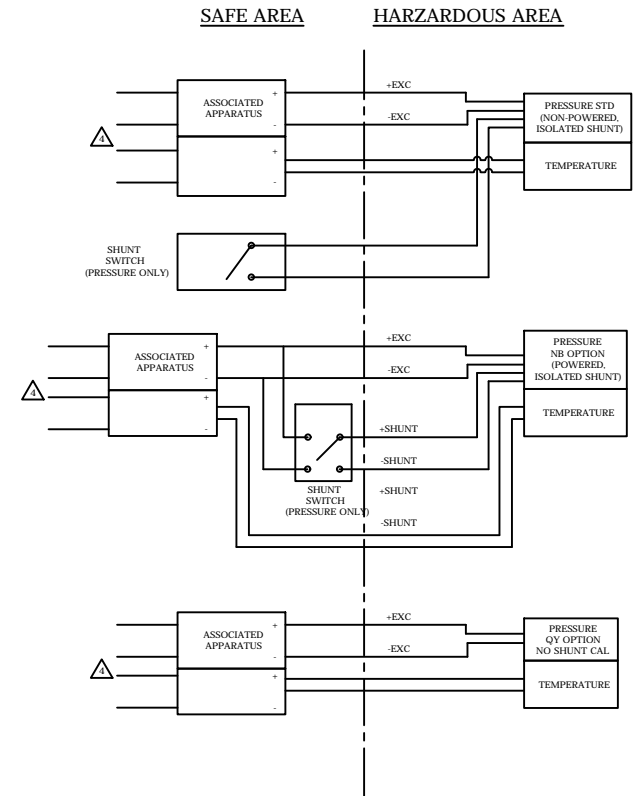
A) PRESSURE OR TEMPERATURE OUTPUT



B) PRESSURE AND RTD



C) AMPLIFIED PRESSURE AND TEMPERATURE



NOTES:

1. INSTALLATION MUST BE IN ACCORDANCE WITH THE CODES AND PRACTICES OF THE COUNTRY IN USE.

2. ASSOCIATED APPARATUS USED FOR THE +EXC/-EXC CIRCUIT MUST HAVE A LINEAR OUTPUT AND BE CERTIFIED WITH THE BARRIER PARAMETERS THAT MEET THE FOLLOWING CONDITIONS:

$$U_o \leq U_i$$

$$I_o \leq I_i$$

$$C_o \leq C_i + C_{cable}$$

$$L_o \leq L_i + L_{cable}$$

3. SHUNT SWITCH OR RTD (WHERE APPLICABLE) WIRING IS NON-INCENDIVE AND IS FOR CONNECTION TO A VOLTAGE FREE CONTACT, OR CERTIFIED RELAY CONTACT BARRIER WITH A VOLTAGE FREE CONTACT.

△ CAN BE ONE BARRIER WITH ISOLATED PRESSURE AND TEMPERATURE WIRING OR TWO SEPARATE BARRIERS.

PRESSURE

Ex ic IIC T5 Gc (-40°C < Ta < 85°C)
Ex nA IIC T5 Gc (-40°C < Ta < 85°C)

ENTITY PARAMETERS: *
U_i = 28V
I_i = 100mA
C_i = 30nF
L_i = 0
P_i = 0.7W

NF Option:

U_i = 28V
I_i = 100mA
C_i = 20nF
L_i = 0
P_i = 0.7W

* UNITS ARE ALSO Ex nA IIC AND CAN BE INSTALLED WITHOUT BARRIERS AND PER ZONE 2 INSTALLATION REQUIREMENTS. WHEN INSTALLED AS AN nA DEVICE, ELECTRICAL CONNECTIONS CANNOT BE SEPARATED WHEN DEVICE IS ENERGIZED.

TEMPERATURE

Ex ic IIC T5 Gc (-40°C < Ta < 85°C)
Ex nA IIC T5 Gc (-40°C < Ta < 85°C)

ENTITY PARAMETERS: *
U_i = 28V
I_i = 100mA
C_i = 30nF
L_i = 0
P_i = 0.7W

NF Option:

U_i = 28V
I_i = 100mA
C_i = 20nF
L_i = 0
P_i = 0.7W

THIRD PARTY AGENCY APPROVAL CODE: AN-S

REVISIONS			
LET	DATE	BY	ECN
-	4/16/15	DJH	1477

2770 LONG ROAD
GRAND ISLAND, NY 14072
TEL. NO. (716)773-0300 FAX NO. (716)773-5019
CAGE CODE: ON8Y7

TITLE:
ATEX/IEC Ex ic/nA IIC,
MODELS 27x AN/GN

SEE ENGINEERING CHANGE NOTICE (ECN) FOR DRAWING APPROVALS

SCALE	MATERIAL	DRAWING NO.	SHEET 1 OF 2
N/A	N/A	8C1-70.00	

