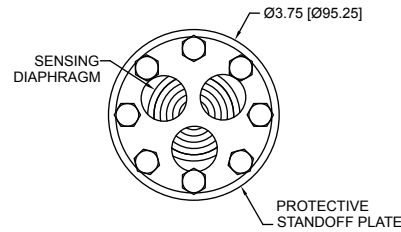
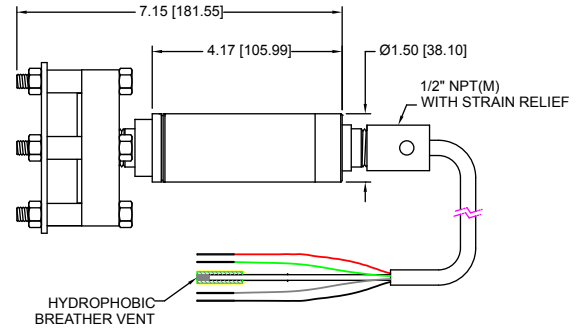


MODEL 311-M351 SUBMERSIBLE PUMP LIFT STATION/ SLUDGE LEVEL TRANSMITTER



STANDARD WIRING

WIRE	MODEL 211-M351	MODEL 311-I-M351
1/RED	+EXC	+EXC/SIG
2/GRN	+SIG	N/C
3/WHT	N/C	N/C
4/BLK	-EXC/SIG	-EXC/SIG
5/BLU	N/C	N/C
6/BRN	N/C	N/C
SHIELD	OPEN	OPEN



Inches (mm)



(Approvals Optionally Available)

Standard configurations shown.
Please consult factory for other options.

PRODUCT OVERVIEW:

The Model 311-M351 from GP:50 is a submersible lift station and sludge level transmitter. Its all stainless-steel design incorporates a 3-inch diameter clog-resistant sensing diaphragm and corrosion-resistant protective baffle plate. These features facilitate high-accuracy level measurements, even in heavy sludge conditions. This combination of durability and accuracy, along with over 25 years of proven field service, have helped make the GP:50 Model 311-M351 an industry gold standard for water and wastewater level monitoring.

FEATURES:

- 3-inch diameter sensing diaphragm resists clogging
- Protective baffle plate reduces risk of sensor damage
- Corrosion-resistant, all stainless steel construction
- Submersible to 1,100 feet (335 meters) WC
- Surge protection from lightning strikes and voltage spikes
- Ranges from 0 to 10 thru 0 to 1,100 feet WC (0 to 3 thru 0 to 335 meters WC)

APPLICATIONS:

- Submersible pump lift station level monitoring
- Wet wells
- Process sumps
- Water tanks and reservoirs
- Process sludge (including heavy sludge)
- Water and wastewater level monitoring

OPTIONS:

- FM & CSA Intrinsically Safe (Model 311-I-M351)*
- External lightning / surge protection package optional
- 4-20 mA or 0 to 5 Vdc output
- Optional temperature output
- Field rangeable electronics (411-M351)

*For details of available approvals, go to:

<https://www.gp50.com/certifications/>

GP:50 MODEL 311-M351

REFERENCE SPECIFICATIONS

(Standard configurations shown, consult factory for other options)

ELECTRICAL	
Output Signal:	(Model 211-M351) 0 to 5 Vdc (Model 311/I-M351) 4-20 mA
Supply Voltage:	(Model 211-M351) 10.5 to 42 Vdc (Model 311/I-M351) 9 to 36 Vdc
Load Impedance:	(Model 211-M351) 50K Ω min. for <0.1% FSO attenuation (Model 311/I-M351) 1,350 Ω max. at 36 Vdc and 750 Ω at 24 Vdc
Input Current:	(Model 211-M351) 8 mA, nominal
Insulation Resistance:	> 10 M Ω at 50 Vdc and +70 °F
Circuit Protection:	RFI, EMI & Surge Protection
Connection:	1/2" NPT (M) conduit with 40 feet of 3-conductor, 18 AWG Hytrel jacketed cable (optional Tefzel jacketing)

MATERIALS OF CONSTRUCTION	
Housing:	316 SST
Wetted Parts:	316 SST

ACCURACY (RSS): Hysteresis, Non-Linearity & Repeatability @ +70 °F	
Standard:	$\pm 0.5\%$
Optional:	$\pm 0.2\%$
Zero/Span Balance and FSO:	$\pm 1\%$ FSO at +70 °F

MECHANICAL	
Process Connection:	Oil filled diaphragm
Proof Pressure:	2X FSO
Burst Pressure:	5X FSO
External Pressure:	500 PSI max. (35 BAR)
Weight:	5.5 lb (2.5 kg)

PRESSURE RANGES	
0 to 5 thru 0 to 500 PSI (0 to 10 feet thru 0 to 1,153 feet WC) (0 to 3 thru 0 to 335 meters WC)	

THERMAL SPECIFICATIONS	
Operating Ambient:	-40 °F to +150 °F (-40 °C to +66 °C)
Compensated:	0 °F to +140 °F (-17.7 °C to +60 °C)
Effect on Zero/Span:	$\pm 2.0\%$ FSO/100 °F

APPROVALS (MODEL 311-M351)	
FM & CSA Intrinsically Safe	

