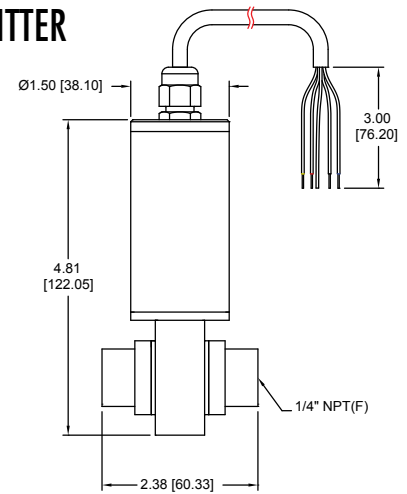


MODEL 115 / 215 / 315
HIGH RANGE DIFFERENTIAL PRESSURE TRANSMITTER



STANDARD WIRING

| WIRE | MODEL 115 | MODEL 215 | MODEL 315 |
|--------|--------------|--------------|--------------|
| 1/RED | +EXC | +EXC | +EXC/SIG |
| 2/GRN | +SIG | +SIG | N/C |
| 3/WHT | -SIG | N/C | N/C |
| 4/BLK | -EXC | -EXC/SIG | -EXC/SIG |
| 5/BLU | +SHUNT (OPT) | +SHUNT (OPT) | +SHUNT (OPT) |
| 6/BRN | -SHUNT (OPT) | -SHUNT (OPT) | -SHUNT (OPT) |
| SHIELD | OPEN | OPEN | OPEN |



REF DIMENSIONS ONLY.
CONSULT FACTORY FOR ACTUAL DIMENSIONS.

PRODUCT OVERVIEW:

The Model 115/215/315 from GP:50 is a family of compact, high-range differential pressure transducers. Series units are offered in ranges as low as 0 to 30 PSID (0 to 2 BAR D), with a line pressure range to 10K PSI (690 BAR). Their all-welded, corrosion-resistant, 316L stainless steel construction is without seals or o-rings, helping to ensure their continued reliability within demanding environments. Optional FM, CSA, ATEX intrinsic safety approvals are also available.

FEATURES:

- Ranges from 30 PSID (2 BAR D) to 7,500 PSID (517 BAR D)
- Line pressure to 10K PSI (690 BAR)
- Rugged, all welded, 316L construction
- No seals or o-rings
- Compact size
- Bi-directional operation
- Optional FM & CSA Explosion-proof approval
- Optional FM, CSA or ATEX Intrinsically safe approval

APPLICATIONS:

- Pump and compressor skids
- Hydraulic test stands
- Drilling Rig top drive controls

FIELD OPTIONS:

- mV/V, Vdc and 4-20 mA output
- Zero & span adjustments
- Alternate process and electrical connections
- Bi-directional operation
- Line pressure to 10K PSI (690 BAR)

GP:50 MODEL 115 / 215 / 315

REFERENCE SPECIFICATIONS

| ELECTRICAL | |
|---------------------|--|
| Output Signal: | (Model 115) 3 mV/V Amplified Output (Model 215) 0 to 5 Vdc (alternate outputs available) (Model 315) 4-20 mA |
| Excitation Voltage: | (Model 115) 3.5 to 15 Vdc excitation (Model 215) 9.0 to 40 Vdc excitation 0 to 10 Vdc output requires 13 to 40 Vdc excitation (Model 315/315Z) 9 to 32 Vdc excitation |
| Bridge Resistance: | |
| Connection: | 36" long PVC Jacketed, 24 AWG, 4 conductor cable with shield |
| Circuit Protection: | (Model 215/315): RFI, EMI & Reverse polarity protected |
| Response Time: | <4 ms |
| Input Impedance: | (Model 115) 5K Ω nominal |

| MATERIALS OF CONSTRUCTION | |
|---------------------------|---|
| Wetted Parts: | 316 Stainless Steel (options available, consult factory) |
| Housing: | 316 Stainless Steel |
| Internal Fill: | Silicone (Options available) |

| ACCURACY (BFSL): Hysteresis, Non-Linearity & Repeatability @ +70 °F | |
|---|---|
| Standard: | $\pm 0.5\%$ FSO |
| Improved: | $\pm 0.2\%$ FSO or $\pm 0.1\%$ FSO |
| Zero & Span Balance: | $\pm 2.0\%$ FSO @ 70 °F (Optional Zero & Span Adjust) |

| MECHANICAL | |
|--------------------------------|--|
| Process Connection: | 1/4" NPT (F) |
| Proof Pressure: | 30-500 PSI 5X FSO or 3K PSI (207 BAR) 750-7,500 10X FSO or 10K PSI (689 BAR) whichever is less |
| Burst Pressure: | 15X FSO or 4K PSI (276 BAR) whichever is less, 10.5K PSI (724 BAR) optional |
| Static Line Pressure: | 2000 PSI (10,000 PSI optional) |
| Zero Shift with Line Pressure: | $< \pm 1.0\%$ FSO/1K PSID |
| Approximate Weight: | <1.5 lbs (0.07 kg) some options may affect weight |

| PRESSURE RANGES | |
|---|--|
| 30 PSID (2 BAR D) to 7,500 PSID (517 BAR D) | |

| THERMAL SPECIFICATIONS | |
|---|---------------------------------------|
| Operating Range: | 10 °F to +190 °F (-12 °C to + 88 °C) |
| Compensated Range: | +70 °F to +180 °F (+21 °C to +82 °C) |
| Storage Ambient: | -65 °F to +250 °F (-53 °C to +121 °C) |
| Effect on Zero/Span: | $\pm 2.0\%$ FSO/100 °F |
| Improved or expanded temperature compensation available | |

