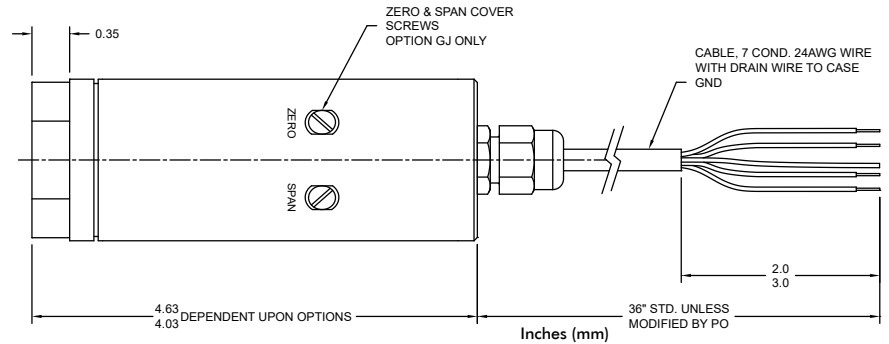


## MODEL 311 I, GI, AI INTRINSICALLY SAFE PRESSURE TRANSDUCER



**STANDARD WIRING CONFIGURATION**

PIN OR WIRE COLOR	DESCRIPTION
A/1/RED	+EXC/SIG
B/2/GRN	CASE GND
C/3/WHT	N/C
D/4/BLK	-EXC/SIG
E/5/BLU	N/C
F/6/BRN	N/C



Standard configurations shown.  
Please consult factory for other options.

### PRODUCT OVERVIEW:

GP:50's Model 11 series provides a rugged solution in hazardous approved areas. The all welded, stainless steel design provides years of reliable service in some of the harshest applications.

### FEATURES:

- 0 to 5 PSI thru 0 to 75K PSI (75 MBAR to 1,034 BAR)
- FM, CSA, ATEX & IEC approvals
- Welded, rugged construction
- Optional high overpressure protection

### APPLICATIONS:

- Rig safety systems
- Wellhead control
- Gas pipeline
- Control panels
- On-board transmission & engine monitoring

### OPTIONS:

- FM, CSA ATEX, IEC Intrinsically Safe\*
- Zero & Span adjust
- Alternate connectors & pressure ports
- For Explosion-proof see model 311X/P\*

\*For details of available approvals, go to:  
<https://www.gp50.com/certifications/>

# GP:50 MODEL 311 I, GI, AI

## REFERENCE SPECIFICATIONS

Standard configurations shown, consult factory for other options

ELECTRICAL	
Output Signal:	4-20 mA output
Excitation Voltage:	10 to 28 Vdc excitation
Insulation Resistance:	> 10 MΩ @ 50 Vdc, +70 °F
Circuit Protection:	RFI, EMI & Reverse polarity protected
Response Time:	<5 ms 10% to 90%

MATERIALS OF CONSTRUCTION	
Wetted Parts:	316 and 17-4 PH stainless steel (Options available, consult factory)
Housing:	316 stainless steel

ACCURACY (Non-Linearity @ +70 °F (BFSL))	
Standard:	±0.5%
Improved:	±0.2% and ±0.1%
Zero & Span Balance:	±1% FSO at +70 °F, 0.5% optional

MECHANICAL	
Process Connection:	1/4" NPT (F) for ranges <20 KPSI (1.4 BAR) High pressure coned fittings for ranges 20K to 75K PSI (1,379 to 5,171 BAR)
Electrical Connection:	36" long PVC Jacketed, 24 AWG, 7 conductor cable with drain wire
Proof Pressure:	1.5X FSO ≤ 30K PSI, 1.2X FSO > 30K PSI
Burst Pressure:	2.5X FSO ≤ 10K PSI 5X FSO > 10K PSI and ≤ 30K PSI 1.5X ≤ 75K PSI
Approximate Weight:	10 oz (0.3 kg) nominal, options may increase weight

PRESSURE RANGES	
0 to 5 thru 0 to 75K PSI (0 to 0.3 thru 0 to 5,171 BAR) (PSIG, PSIS, PSIA, PSIV & Compound ranges available)	

THERMAL SPECIFICATIONS	
Operating Range:	-40 °F to +176 °F (-40 °C to +80 °C)
Compensated Range:	0 °F to +180 °F (-18 °C to +82 °C)
Storage Ambient:	-65 °F to 250 °F (-53 °C to +121 °C)
Effect on Zero/Span:	±2.0% FSO/100 °F
Improved or expanded temperature compensation available	

APPROVALS:	
FM, FM/CSA: Class I/II/III, Div 1, Grps A-G, T6 at Ta=40C	
Zone 2 / Division 2	
FM: Class I, Zone 2 AEx nC IIC T5, Class I, Div. 2, Grp. A, B, C, D Class II, Grp. E, F, G, Class III T5, Ta = 80C	
CSA: Ex nA IIC T5, Ex nL IIC T5, Class I Div. 2 Grp. A, B, C, D Class II Div. 2 Grp. E, F, G Class III T5, Ta=80C	
ATEX: CE0575 II 3 G Ex nA IIC, Ex ic IIC T5, Ta=80C	
IEC: Ex na IIC, Ex ic IIC T5, Ta=80C	

