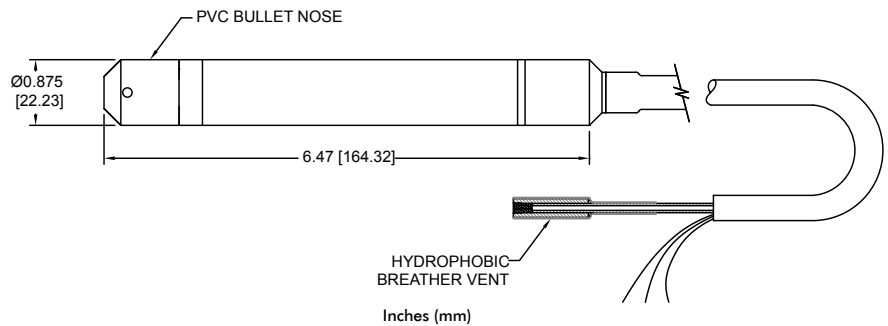


## MODEL 313L SUBMERSIBLE LEVEL TRANSMITTER



### STANDARD WIRING

WIRE	MODEL 313L
RED	+EXC/SIG
BLK	-EXC/SIG
GRN	N/C
WHT	N/C
SHIELD	OPEN



Standard configurations shown.  
Please consult factory for other options.

### PRODUCT OVERVIEW:

The Model 313L from GP:50 is a line of highly accurate and reliable submersible level transmitters. The corrosion-resistant 316L stainless steel construction, and an integrated hydrophobic breather vent help provide years of maintenance-free service.

### FEATURES:

- Available ranges of 0-20" WC thru 300 PSI (50 MBAR to 21 BAR)
- Case rated to 900 feet WC (275 meters WC)
- Up to  $\pm 0.10\%$  FSO accuracy
- 316L stainless steel housing with optional titanium
- Hytel jacketed cable with optional Tefzel<sup>®</sup>
- Lightning suppression as standard

### APPLICATIONS:

- Wet wells, ponds, rivers and tank level measurements
- Water treatment
- Ground water monitoring
- Dredging levels
- Shipboard level control

### OPTIONS:

- Slim 0.69" (1.74 cm) diameter (Model 313S)
- Titanium construction (Model 313L-NI)
- Additional Hytel cable and Tefzel<sup>®</sup> jacketed cable lengths
- Tapered inlet with stand-off plate for wastewater
- Remote zero and span adjustments

# GP:50 MODEL 313L

## REFERENCE SPECIFICATIONS

Standard configurations shown, consult factory for other options

ELECTRICAL	
Output Signal:	4-20 mA
Excitation Voltage:	9 to 36 Vdc
Load Resistance:	1400 $\Omega$ max. at 40 Vdc excitation
Circuit Protection:	Short circuit or reversed wired – Indefinite
Response Time:	$\leq 5$ ms to 90%

MATERIALS OF CONSTRUCTION	
Wetted Parts:	316L, PVC, Neoprene, and Hytrel jacketed cable
Housing Sensor:	316L stainless steel, optional titanium
Cable Jacket Material:	Hytrel (Tefzel optional)
Cable Seal:	Viton (Optional materials available)
Nose Cap:	PVC
Internal Fill:	Silicone (Other options available)

ACCURACY (NON-LINEARITY @ +70 °F (BFSL))	
Standard:	$\pm 0.5\%$ FSO
Improved:	$\pm 0.2\%$ FSO and $\pm 0.1\%$ FSO
Zero & Span Balance:	$\pm 1.0\%$ FSO @ +70 °F

MECHANICAL	
Process Connection:	PVC bullet nose
Electrical Connection:	Hytrel jacketed, 4-conductor, 18 AWG with vent tube and hydrophobic filter, 8' long, other lengths available.
External Pressure:	Rated to 900 ft WC (274) meters) max.
Proof Pressure:	2X FSO
Burst Pressure:	4X FSO
Approximate Weight:	10 oz. (0.3 kg) nominal (options may increase weight)
Diameter:	0.875" (2.22 cm)

PRESSURE RANGES	
0-20" WC thru 300 PSI (50 MBAR to 21 BAR)	

THERMAL SPECIFICATIONS	
Operating Range:	-40 °F to +185 °F (-40 °C to +85 °C)
Compensated Range:	0 °F to +140 °F (-17.7 °C to +60 °C)
Storage Ambient:	-40°F to +195 °F (-40 °C to +90.6 °C)
Effect on Zero/Span:	$< \pm 2.0\%$ FSO/100 °F

