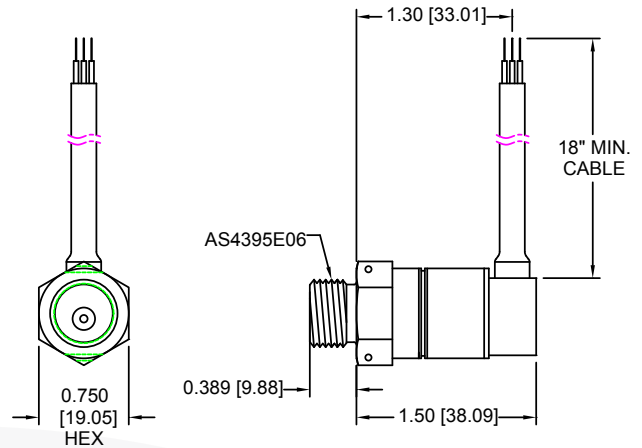


MODEL 7202 COMPACT FLIGHT HERITAGE TRANSDUCER



STANDARD WIRING

PIN	DESCRIPTION
RED	+INPUT
BLK	-INPUT
GRN	+OUTPUT
BLU	+RTD
WHT	-RTD
ORG	PROGRAM
SHLD	CASE GND



**REF DIMENSIONS ONLY.
CONSULT FACTORY FOR ACTUAL DIMENSIONS.**

PRODUCT OVERVIEW:

The Model 7202 is one of the smallest and light weight aerospace designs GP:50 offers. It provides very high accuracy and improved thermal performance. The 7202 will withstand some of the most severe aerospace or military applications, including higher shock and vibration environments.

FEATURES:

- Compact and lightweight design
- $\pm 0.10\%$ static accuracy option
- Temperature output options
- Ranges up to 0-15K PSIA

APPLICATIONS:

- Commercial and defense satellites
- Launch vehicles
- Unmanned aerial vehicles
- Military and civilian aircraft
- Ground support and engine test stands

OPTIONS:

- "B+ and S Class" amplified electronics available
- Temperature output
- Inconel and Hastelloy wetted parts
- Wide selection of pressure ports and electrical connections
- Various MIL-SPECS available. Consult factory.

GP:50 MODEL 7202

REFERENCE SPECIFICATIONS

(Standard configurations shown, consult factory for other options)

ELECTRICAL	
Output Signal:	0.1 to 5.1 Vdc (other optional outputs available)
Temperature Output:	RTD; 100 Ω or 1000 Ω at 0 °C Alpha 0.00385 Ω/Ω/°C
Excitation Voltage:	16.5 to 32 Vdc (28 Vdc nominal)
Response Time:	Typ 1ms

MATERIALS OF CONSTRUCTION	
Wetted Parts:	15-5 sensor (Inconel, Hastelloy optional)
Housing:	316L Stainless Steel

ACCURACY (BFSL): Hysteresis, Non-Linearity & Repeatability @ +70 °F	
Static Accuracy (RSS):	≤ ±0.3% FSO
Non-Linearity:	≤ ±0.15% FSO (Typ)
Hysteresis:	≤ ±0.1% FSO (Typ)
Repeatability:	≤ ±0.1% FSO (Typ)
Zero Balance:	± 1.0% FSO
Span Balance:	± 1.0% FSO

(BFSL method used. Improved options available.)

Calibration:	NIST Traceable Cert
Workmanship:	IPC-A-610 Soldering
Quality System:	ISO 9001

Options may affect specifications.
Please consult factory for your specific needs.

MECHANICAL	
Process Connection:	AS4395E06
Electrical Connection:	24 AWG, 5 conductor, Teflon insulated, braided shield and Viton jacketed cable
Proof Pressure:	1.5X FSO
Burst Pressure:	2.5X FSO
Secondary Containment:	Up to 4,500 PSI (310 BAR)
Environmental:	MIL-STD-810F
EMC:	MIL-STD-461
Approximate Weight:	<5 oz (141 grams)

PRESSURE RANGES	
0 to 1000 thru 0 to 15K PSIA, PSIG, PSIV, PSISG (0-69 thru 0-1,034 BAR), other ranges available	

THERMAL SPECIFICATIONS	
Operating Range:	-65°F to +250 °F (-54 °C to +121 °C)
Compensated Range:	0 °F to +180 °F (-17.8 °C to +82 °C)
Compensated Ranges from -65 °F to +250 °F (-54 °C to +121 °C) available	
Effect on Zero & Span:	± 1.0% FSO/100 °F (Improved specifications available)

