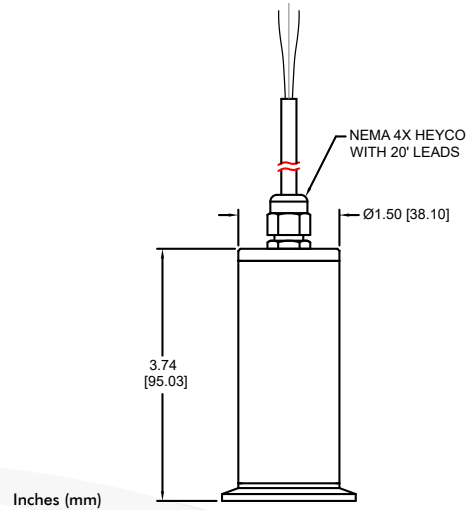


MODEL 280/380 & 283/383 SANITARY TRI-CLAMP PRESSURE TRANSMITTER



STANDARD WIRING

WIRE	MODEL 280/283	MODEL 380/383
1/RED	+EXC	+EXC/SIG
2/GRN	+SIG	N/C
3/WHT	N/C	N/C
4/BLK	-EXC/SIG	-EXC/SIG
5/BLU	N/C	N/C
6/BRN	N/C	N/C
SHIELD	OPEN	OPEN



Standard configurations shown.
Please consult factory for other options.

PRODUCT OVERVIEW:

Models 280/380 & 283/383 from GP:50 are a family of food and beverage grade tri-clamp process connection pressure transmitters. Their rugged design also meets 3A sanitary standards for dairy applications. Tri-clamp fitting sizes as small as 3/4" are available to provide reduced surface area exposure. The Model 383 is also available with optional high-temperature compensation to +400 °F (+204 °C). Standard models feature all 316L stainless steel construction. Optional Inconel or Hastelloy wetted parts may be substituted for improved corrosion resistance. An optional vented quick disconnect cable provides a barometric reference on lower ranges while providing a NEMA 4X rating.

FEATURES:

- Standard tri-clamp fitting sizes from 3/4" to 3"
- Complies with 3A standard 74-07
- Flush process connection eliminates plugging
- All 316L stainless steel or Inconel wetted parts
- Pressure ranges from 0 to 30" WC thru 0 to 1,000 PSI (150 mBAR to 59 BAR)

APPLICATIONS:

- Food and beverage manufacturing
- Dairy and beverage processing
- Pharmaceutical
- Sanitary

OPTIONS:

- Vented quick disconnect cable
- Standard tri-clamp fitting sizes from 3/4" to 3"
- High-temperature compensation to +400 °F (+204 °C)
- Inconel and Hastelloy wetted parts
- FM, CSA Explosion Proof option available*

*For details of available approvals go to:
<https://www.gp50.com/certifications>

GP:50 MODEL 280/283 & 380/383

REFERENCE SPECIFICATIONS

(Standard configurations shown, consult factory for other options)

ELECTRICAL	
Output Signal: (@ +70 °F)	(Models 280/283) 0 to 5 Vdc \pm 2% FSO (Models 380/383) 4-20 mA \pm 2% FSO
Excitation Voltage:	(Models 280/283) 10.5 to 42 Vdc (Models 380/383) 13 to 37 Vdc
Output Current:	(Models 280/283) 2.0 mA max. for <0.1% FSO attenuation
Input Current:	(Models 280/283) 6.2 mA nominal
Load Resistance:	(Models 380/383) 1200 Ω max. at 37 Vdc, 550 Ω max. at 24 Vdc
Circuit Protection:	RFI and EMI

MATERIALS OF CONSTRUCTION	
Wetted Parts:	316 stainless steel, NEMA-4X (3A 74-03 compliant) rated Inconel and Hastelloy optional
Housing:	316 stainless steel

ACCURACY (BFSL): Hysteresis, non-Linearity & Repeatability @ +70 °F	
Standard:	\pm 0.5% FSO
Improved:	\pm 0.2% FSO, \pm 0.1% FSO
Zero/Span Balance:	\pm 2.0% FSO at +70 °F

MECHANICAL	
Process Connection:	Tri-Clamp 1/2" thru 3"
Electrical Connection:	20 ft 6-conductor vented Hytrel jacketed cable
Proof Pressure:	3X FSO
Burst Pressure:	6X FSO
Approximate Weight:	14 oz. nominal, dependent on pressure fitting

PRESSURE RANGES	
From 0 to 30" WC thru 0 to 1000 PSI	
\geq 30" WC to 300 PSI:	3" tri-clamp fitting
30" WC to 1000 PSI:	1 1/2" tri-clamp
30" WC to 300 PSI:	2", 2 1/2" and 3" tri-clamp
\geq 50 PSI to 1000 PSI:	1/2" and 3/4" tri-clamp

THERMAL SPECIFICATIONS	
Operating Range:	(Model 80) -20 °F to 200 °F (-29 °C to +93 °C) (Model 83) -20 °F to +400 °F (-29 °C to +204 °C)
Compensated Range:	(Model 80) 0 °F to +180 °F (-17 °C to +82 °C) (Model 83) 0 °F to +400 °F (-17 °C to +204 °C)
Effect on Zero/Span:	$<$ \pm 2% FSO/100 °F

