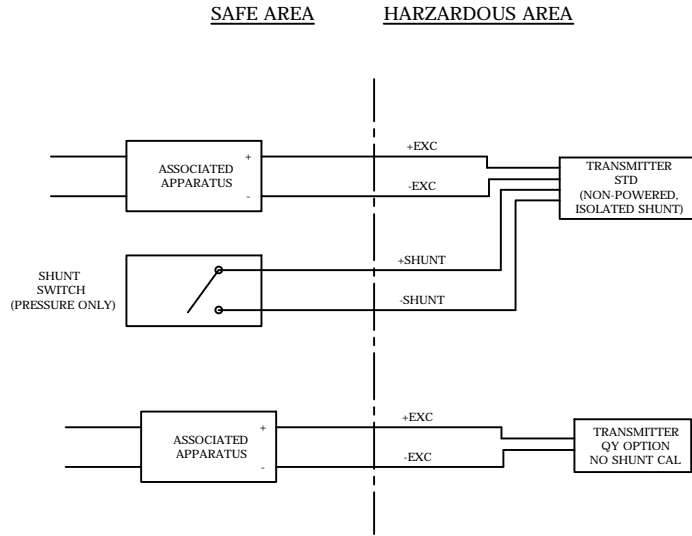
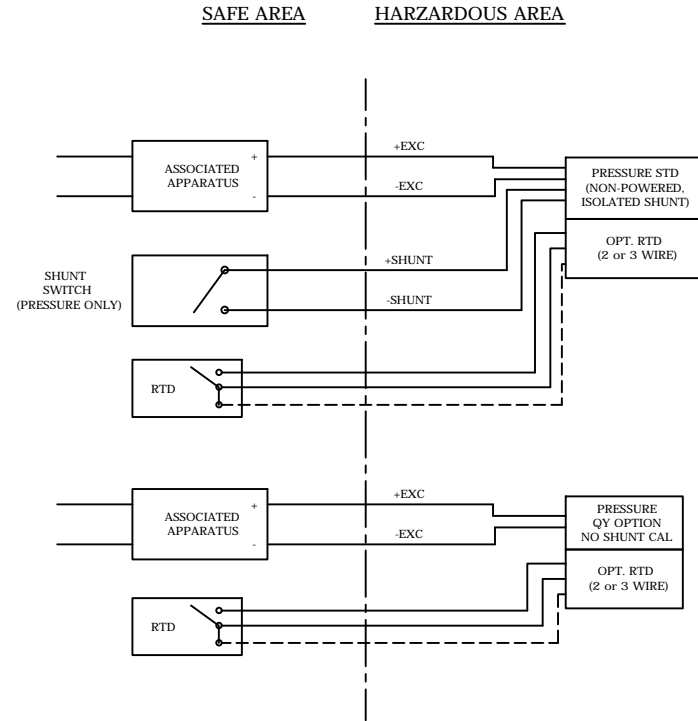


A) PRESSURE OR TEMPERATURE OUTPUT



B) PRESSURE AND RTD



NOTES:

1. INSTALLATION MUST BE IN ACCORDANCE WITH THE CODES AND PRACTICES OF THE COUNTRY IN USE.

2. ASSOCIATED APPARATUS USED FOR THE +EXC/-EXC CIRCUIT MUST HAVE A LINEAR OUTPUT AND BE CERTIFIED WITH THE BARRIER PARAMETERS THAT MEET THE FOLLOWING CONDITIONS:

$$U_o \leq U_i$$

$$I_o \leq I_i$$

$$C_o \leq C_i + C_{cable}$$

$$L_o \leq L_i + L_{cable}$$

3. SHUNT SWITCH OR RTD (WHERE APPLICABLE) WIRING IS NON-INCENDIVE AND IS FOR CONNECTION TO A VOLTAGE FREE CONTACT, OR CERTIFIED RELAY CONTACT BARRIER WITH A VOLTAGE FREE CONTACT.

PRESSURE

Ex ic IIC T5 Gc (-40°C < Ta < 85°C)
 Ex nA IIC T5 Gc (-40°C < Ta < 85°C)

ENTITY PARAMETERS: *
 Ui = 15V
 Ii = 100mA
 Ci = 0mF
 Li = 0
 Pi = 0.7W

* UNITS ARE ALSO Ex nA IIC AND CAN BE INSTALLED WITHOUT BARRIERS AND PER ZONE 2 INSTALLATION REQUIREMENTS. WHEN INSTALLED AS AN nA DEVICE, ELECTRICAL CONNECTIONS CANNOT BE SEPARATED WHEN DEVICE IS ENERGIZED.

THIRD PARTY AGENCY APPROVAL CODE: AN-S

REVISIONS			
LET	DATE	BY	ECN
-	4/16/15	DJH	1477

GP-50 2770 LONG ROAD
 GRAND ISLAND, NY 14072
 TEL. NO. (716)773-8300 FAX NO. (716)773-5019
 AEROSPACE DIV. CAGE CODE: ON8Y7

TITLE:
 ATEX/IEC Ex ic/nA IIC,
 MODELS 17x AN/GN

SEE ENGINEERING CHANGE NOTICE (ECN) FOR DRAWING APPROVALS
 SCALE: N/A MATERIAL: N/A DRAWING NO. SHEET 1 OF 2
 8C1-68.00

