

THIRD PARTY AGENCY APPROVAL CODE: N-S

1. Installation must be in accordance with the Canadian Electrical Code, Part I, or the National Electrical Code, as applicable for country in use.

2. Associated apparatus required only for installations using nonincendive field wiring.

3. Installations Using Nonincendive Field Wiring or Energy Limited Wiring (nL)

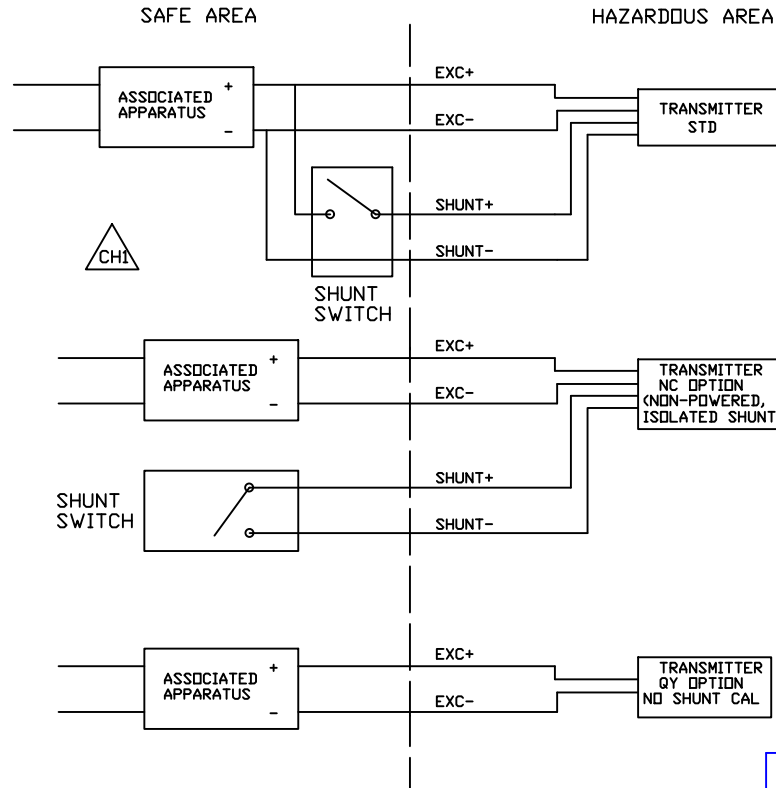
This installation method is applicable for all certified models 370N and 370GN devices and is suitable for Class I, Div. 2 Groups A,B,C,D and Class I, Zone 2, Group IIC hazardous (classified) locations. Associated apparatus used for the exc+/exc- circuit must have a linear output and be CSA certified or FM approved (as applicable for the country in use) with entity parameters that meet the following conditions:

$$\begin{aligned} V_{oc} \text{ or } U_o &\leq V_{max} \text{ or } U_I \\ I_{sc} \text{ or } I_o &\leq I_{max} \text{ or } I_I \\ C_a \text{ or } C_o &\geq C_I + C_{cable} \\ L_a \text{ or } L_o &\geq L_I + L_{cable} \end{aligned}$$

Shunt switch wiring is nonincendive and is for connection to a voltage free contact, or CSA certified or FM approved, as applicable for country in use, relay contact barrier with a voltage free contact.

4. Installations using Division 2/Zone 2 Wiring Methods:

- 4.1 This installation method is applicable only for Model 370Nabcde and 370GNabcde devices where suffix d = AA, DQx, DRx, DTx, DUX, DVx and does not require use of associated apparatus.
- 4.2 Where suffix d = AA (NPT connection), the devices are suitable for use in Class I, Division 2, Groups A,B,C,D; Class II, Div. 2 Groups E, F and G; Class III and Class I, Zone 2, Group IIC. Wiring to the NPT connector must use a suitable Division 2/Zone 2 wiring method as required per the Electrical Code of the country in use.
- 4.3 Where suffix d = DQx, DRx, DTx, DUX, DVx (Certified Division 2 connectors) the devices are suitable for use in Class I, Division 2, Groups A,B,C,D and Class I, Zone 2 Group IIC. Wiring to the connectors must use cables certified for the location and for the country in use (tool secured and compatible with Div 2/Zone 2 wiring methods), and must be installed per the manufacturer's instructions.
- 4.4 Do not connect/disconnect circuits while the equipment is live, unless the area is known to be non-hazardous.



Class I, Zone 2, Group IIC
Class I, Div. 2, Groups A,B,C,D;
*Class II, Div. 2, Groups E,F,G
*Class III

(*refer to Notes for applicability)

ENTITY PARAMETERS

V_{max} or $U_I = 28V$
 I_{max} or $I_I = 100mA$
 $C_I = 27.2nF$
 $L_I = 0$
Temp. code, T5 at $T_a = 80^\circ C$

THIS IS A CONTROLLED DRAWING
AND MAY NOT BE CHANGED WITHOUT
ENGINEERING AUTHORIZATION

UNLESS OTHERWISE SPECIFIED DIMENSIONS ARE IN INCHES	
FRACTIONS $\pm 1/64$ DECIMALS: TOLERANCES: .XX $\pm .01$.XXX $\pm .005$ ANGLES $\pm 1/2$	
63 MACHINE FINISH (ALL SURFACES) REMOVE BURRS & BREAK SHARP EDGES .015 MAX. MACHINE FILLETS TO .015 R MAX. ALL DIAMETERS TO BE CONCENTRIC WITHIN .010 T.I.R. CHAMFER ALL MALE THREADS 45°±5° TO MINOR DIAMETER C/SINK ALL FEMALE THREADS 90°±10° TO MAJOR DIAMETER	

REVISIONS			
LET	DATE	BY	ECN
1	6/3/11	MM	865

GP:50 Aerospace Div. 2770 LONG ROAD CAGE CODE: ON8Y7 GRAND ISLAND, NY 14072 TEL. NO. (716)773-9300 FAX NO. (716)773-5019		
SCALE DRAWN: NA SCALE: NA	MATERIAL NA	DRAWN BY: DATE DW 01/09/08
DESIGNER DW	REVIEW DATE	APPROVED DATE
TITLE: FM/CSA Type n/Div 2/Zone 2 MODEL 370 N/GN		DRAWING NO. REV. 8C1-65.00-2 1